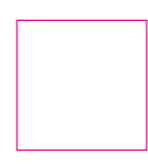
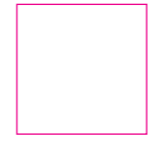


# Burger box – Outside

Choose colour

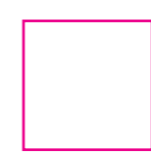


White



Brown

Choose print colours



1 color



2 color



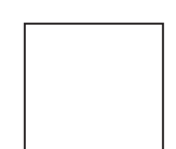
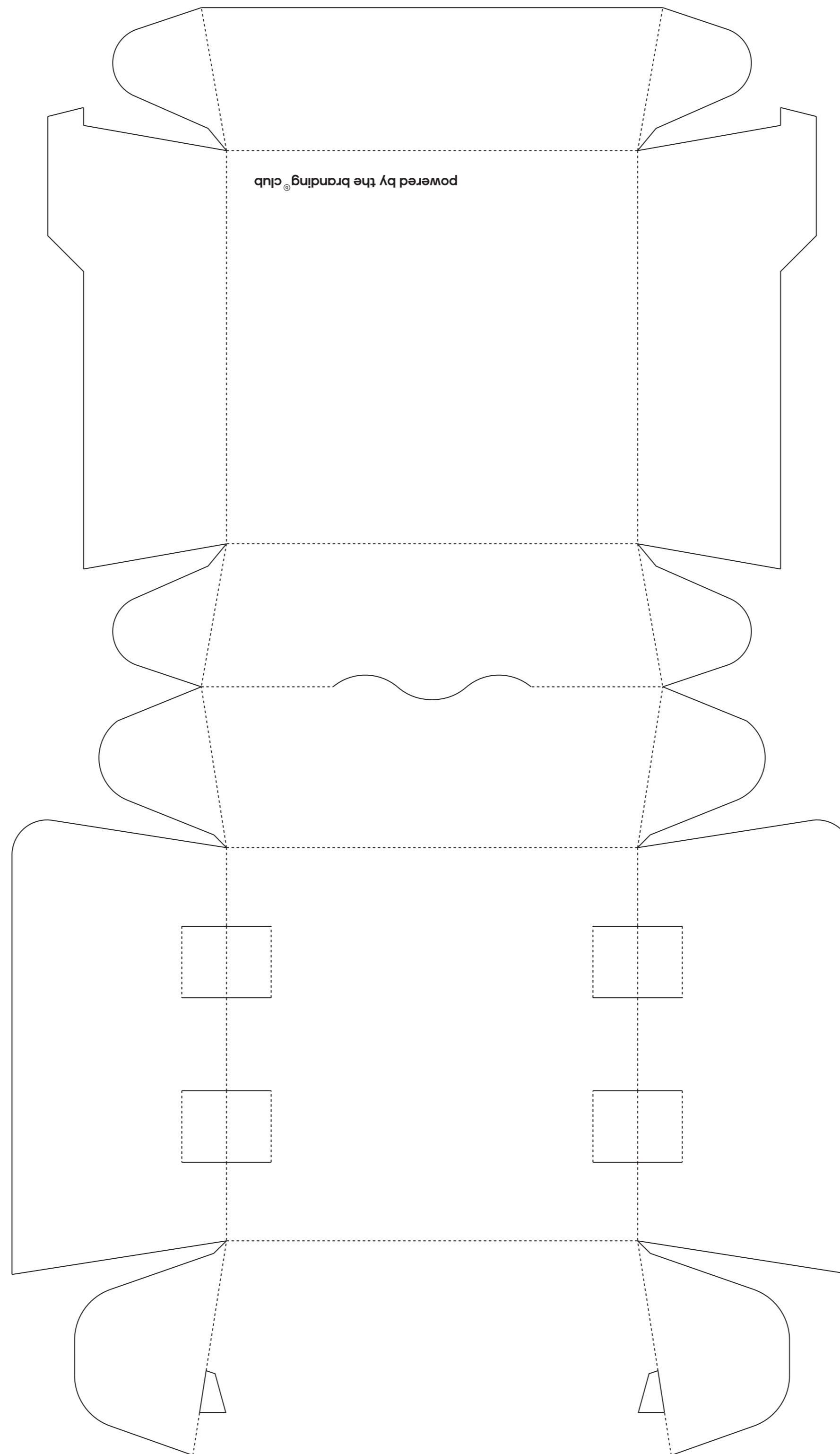
3 color



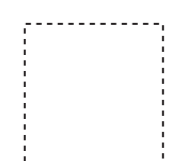
Full-colour

## Design guidelines

- Only dark colors can be printed on kraft.
- If you choose kraft design only can be printed between the grey lines.
- Make sure there are not too many details.
- Pay attention to the number of colours you choose. Let your design depend on this.
- Colours are printed in PMS Coated these may differ from screen colours.
- Do not use images when you print PMS.
- Provide texts in outline or send the font along.
- Use only high-quality images of at least 300 dpi or more. You can also overlay them in a vector file, if this is unclear please contact Design team. (If full color).



Cutting line



Folding line

We emphasize that a general tolerance applies for misplacement up to +/- 5 mm in any direction. Also — when printing multiple colors — a tolerance of +/- 2 mm per color must be taken into consideration. Colors on monitors and color printers can differ from final print and color differences and/or spots cannot be prevented. Small parts, grids and text can be closed or broken. Please check this proof carefully for spelling errors, color deviations, etc. After your approval we cannot be held accountable for spelling errors.

We can use samples, pictures and drawings of this project for marketing purposes. This print-proof is subject to the general terms and conditions of The Branding Club.

Do not reproduce. Copyright by The Branding Club®

# Burger box – Inside

Choose colour



White



Brown

Choose print colours



1 color



2 color



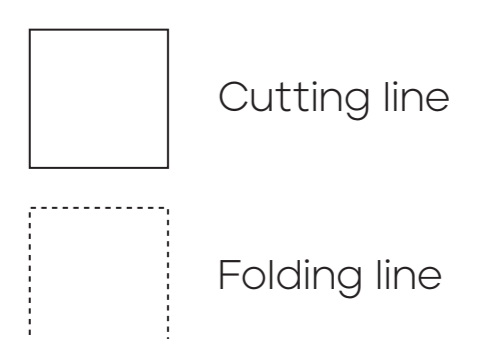
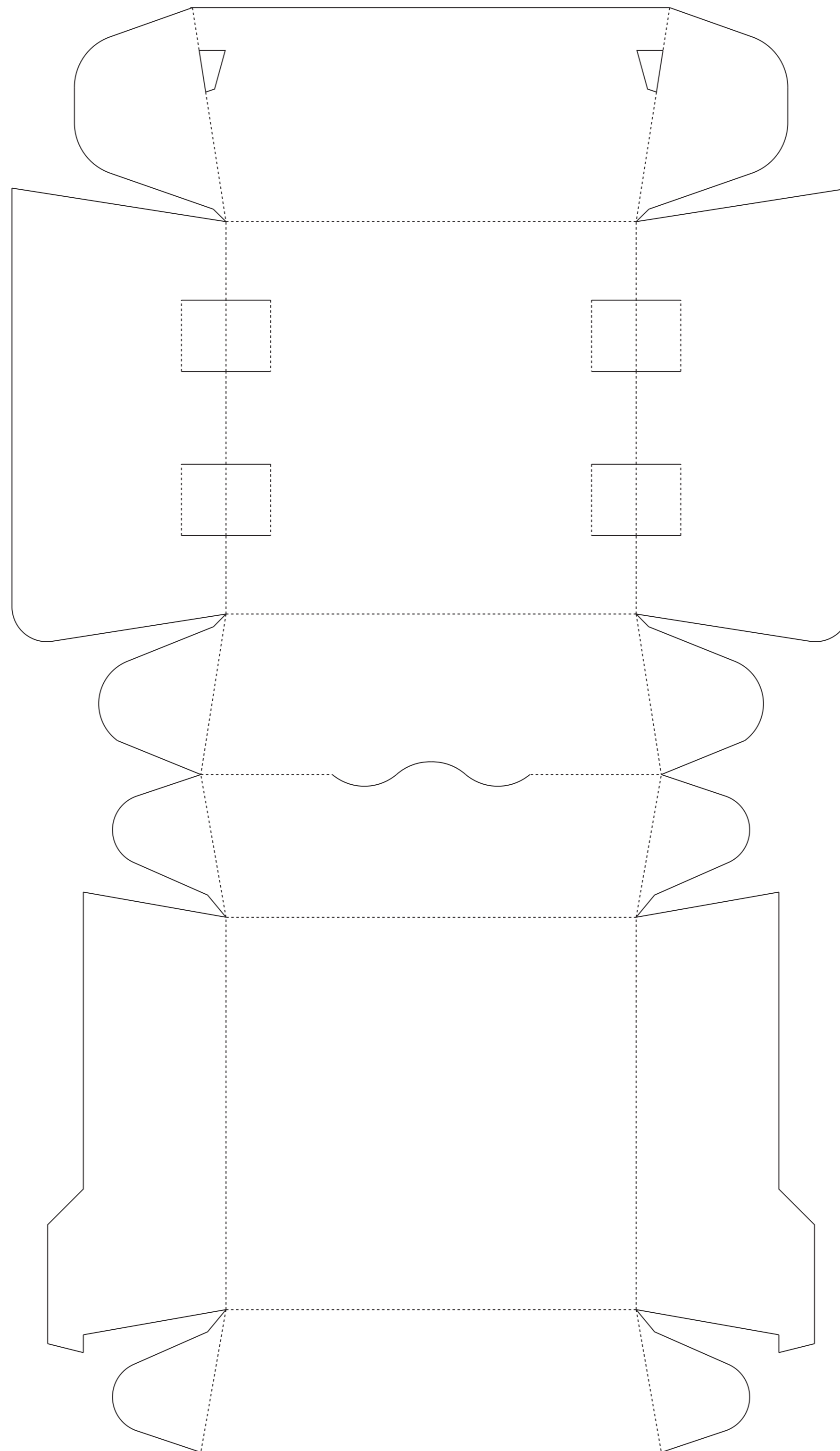
3 color



Full-colour

## Design guidelines

- Only dark colors can be printed on kraft.
- If you choose kraft design only can be printed between the grey lines.
- Make sure there are not too many details.
- Pay attention to the number of colours you choose. Let your design depend on this.
- Colours are printed in PMS Coated these may differ from screen colours.
- Do not use images when you print PMS.
- Provide texts in outline or send the font along.
- Use only high-quality images of at least 300 dpi or more. You can also overlay them in a vector file, if this is unclear please contact Design team. (If full color).



We emphasize that a general tolerance applies for misplacement up to +/- 5 mm in any direction. Also — when printing multiple colors — a tolerance of +/- 2 mm per color must be taken into consideration. Colors on monitors and color printers can differ from final print and color differences and/or spots cannot be prevented. Small parts, grids and text can be closed or broken. Please check this proof carefully for spelling errors, color deviations, etc. After your approval we cannot be held accountable for spelling errors.

We can use samples, pictures and drawings of this project for marketing purposes. This print-proof is subject to the general terms and conditions of The Branding Club.

Do not reproduce. Copyright by The Branding Club®